

FITTING INSTRUCTIONS

FOR RESTRICTOR IPA NO. 62836

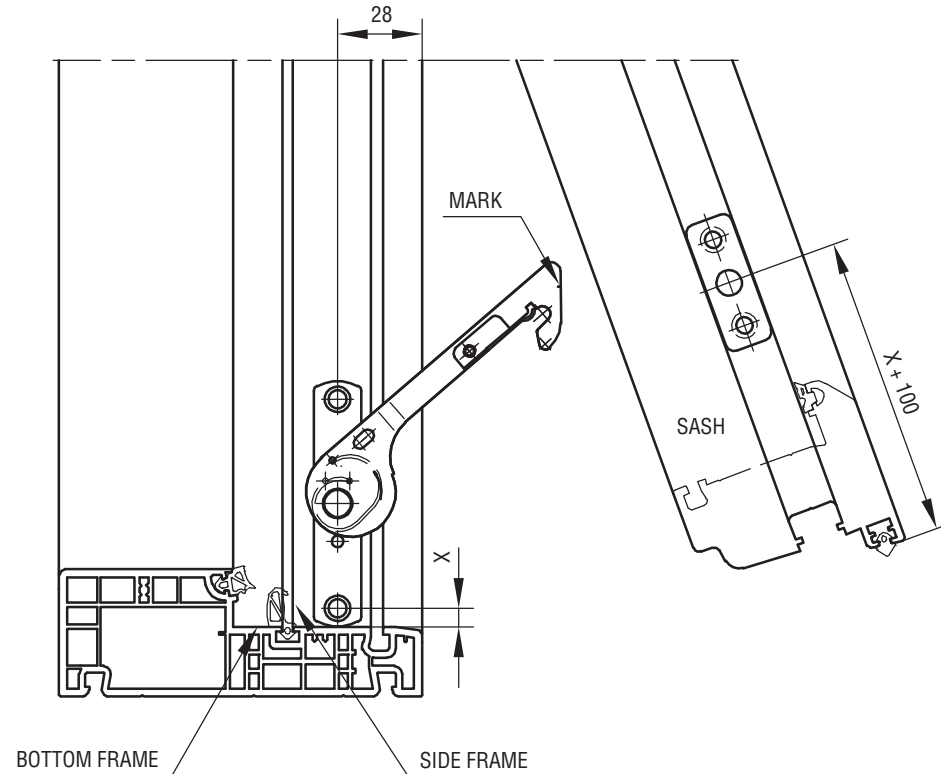


FIG. 1
 RIGHT HAND ILLUSTRATION
 (SEEN FROM THE OUTSIDE)

THE FITTING CAN BE USED ON BOTH TOPHUNG/TOPGUIDED AS WELL AS SIDEHUNG/SIDEGUIDED WINDOWS. ON TOPHUNG/TOPGUIDED WINDOWS THE RESTRICTOR IS PLACED IN THE BOTTOM OF THE SIDE FRAME AND THE RECEIVER IS PLACED IN THE BOTTOM OF THE SIDE SASH. ON THE SIDEHUNG/SIDEGUIDED WINDOWS THE RESTRICTOR IS PLACED IN TOP/BOTTOM FRAME ON THE OPPOSITE SIDE OF THE HINGES AND THE RECEIVER IS PLACED IN THE TOP/BOTTOM SASH OPPOSITE THE HINGES.

X-DIMENSION IS OPTIONAL. BY USING LARGER X-DIMENSION THE VENTILATION OPENING WILL BE EXTENDED.

IMPORTANT: THE RECEIVER MUST BE MOUNTED SO THAT IT HITS THE MARK ON THE RESTRICTOR ARM WHEN THE WINDOW IS CLOSED. SEE FIG. 1

OPERATING INSTRUCTIONS:

1. OPEN THE WINDOW UNTIL THE RESTRICTOR ENGAGES.
2. PULL THE SASH APPROXIMATELY 20 MM BACKWARDS.
3. PRESS THE RESTRICTOR IN THE DIRECTION OF THE ARROW AS YOU OPEN THE WINDOW.
4. WHEN THE WINDOW IS CLOSED THE RESTRICTOR RE-ENGAGES AUTOMATICALLY.

USE SCREW NO. 4.0

MAINTENANCE:

THE FITTINGS ARE NOT TO BE PAINTED. TEST THE OPERATION FROM TIME TO TIME. WHEN FITTING - LUBRICATE THE PIVOT/MOVABLE METAL PARTS OF THE MECHANISM WHILE ACTIVATING REPEATEDLY. HEREAFTER LUBRICATE MINIMUM TWICE A YEAR. DO NOT LUBRICATE THE ALUMINIUM RAILS.

REHAU NORDIC DESIGN PLUS:

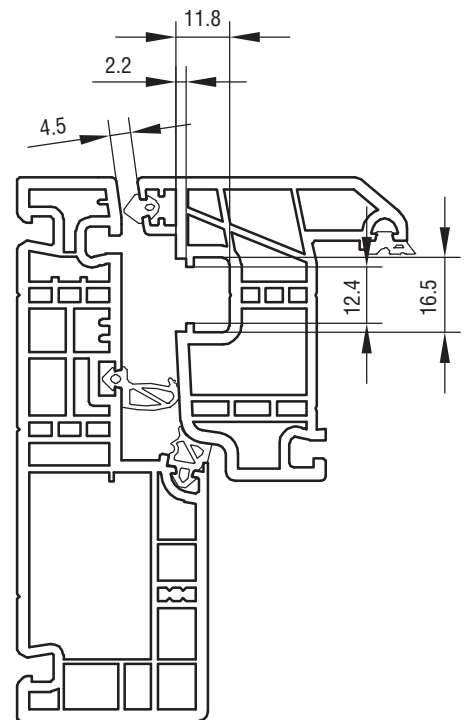


FIG. 2