

FITTING INSTRUCTIONS

SIDE SWING WINDOW 90° ADJUSTABLE IPA NO.s 62896-97

REHAU NORDIC DESIGN PLUS:

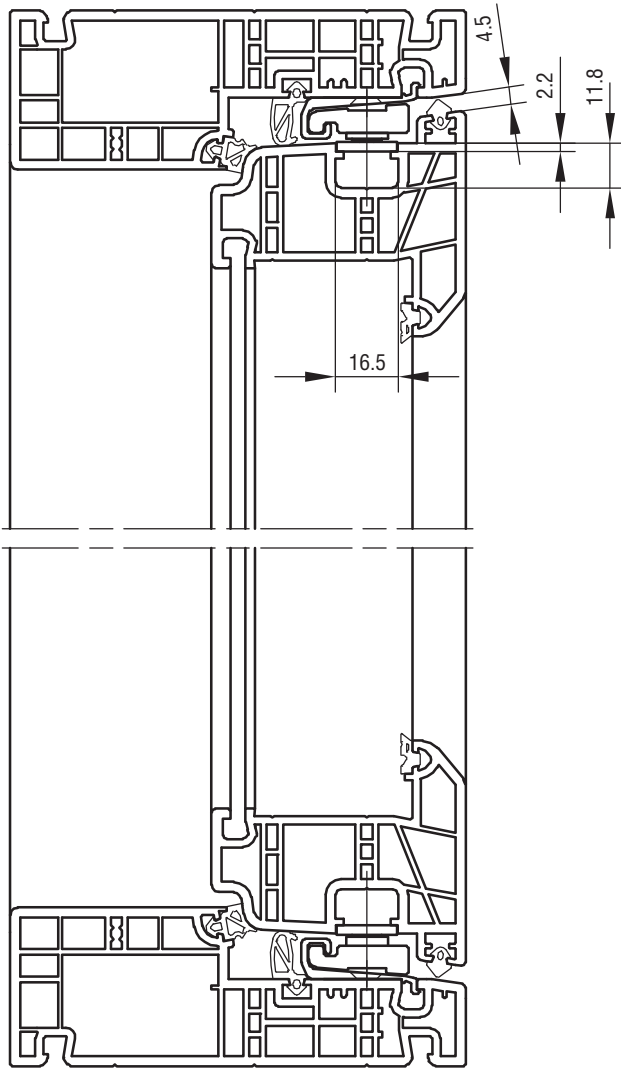


FIG. 1
VERTICAL PLAN

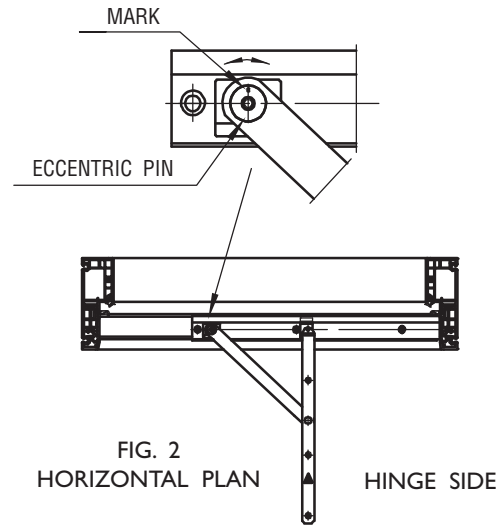


FIG. 2
HORIZONTAL PLAN HINGE SIDE

FITTING SHOWN ON FRAME CILL
RIGHT HAND ILLUSTRATION

| IPA NO. | 62896 | 62897 |
|-------------------------|-------|-------|
| MAX. WEIGHT OF SASH KGS | 20 | 40 |
| MIN. FRAME WIDTH MM | 240 | 405 |
| MAX. FRAME WIDTH MM | 405 | 900 |
| USE SCREW NO. | 4.0 | 4.0 |

FIG. 3

REG. TALL AND NARROW WINDOWS:
 PLEASE NOTICE THAT ON TALL AND NARROW SASHES THE FLEXIBILITY OF THE MATERIAL MAY EFFECT HE MOVEMENT OF THE FITTING'S SLIDING ELEMENTS IN TOP AND BOTTOM. IT CAN THEREFOR BE NECESSARY TO USE BOTH HANDS TO STABILIZE THE SASH WHEN OPENING THE WINDOW. THESE FITTINGS ARE NOT SUITABLE FOR DOOR HEIGHT WINDOWS.

MONTERING:

1. THE FITTING SHOULD BE POSITIONED IN THE GROOVES AT HEAD AND CILL OF FRAME AGAINST THE SIDEFAME AND SCREWED ON (FIGURE 1 AND 2). FASTEN THE STOP RINGS THROUGH THE MIDDLE HOLE IN THE ALU-RAILS.
2. OPEN THE FITTING AND PUSH THE WINDOW SASH INTO POSITION BETWEEN THE 2 FITTINGS AGAINST THE ANGLE AND FASTEN THE SCREWS. START WITH THE SCREW IN THE ANGLE.
3. THE OPENING BETWEEN SASH AND FRAME CAN BE ADJUSTED BY MEANS OF THE ECCENTRIC PIN - USE A TORX-20 KEY. ON THE PIN IS A MARK THAT ON DELIVERY IS IN NEUTRAL POSITION. THE PIN CAN BE TURNED 90° TO EATHER SIDE, WHICH GIVES AN ADJUSTMENT OF ± 0.5 MM.

MAINTENANCE:

THE FITTINGS ARE NOT TO BE PAINTED. TEST THE OPERATION FROM TIME TO TIME. WHEN FITTING - LUBRICATE THE PIVOT/MOVABLE METAL PARTS OF THE MECHANISM WHILE ACTIVATING REPEATEDLY. HEREAFTER LUBRICATE MINIMUM TWICE A YEAR. DO NOT LUBRICATE THE ALUMINIUM RAILS.