

FITTING INSTRUCTIONS

FOR FRICTION STAY FOR WINDOWS IPA NO. 62527

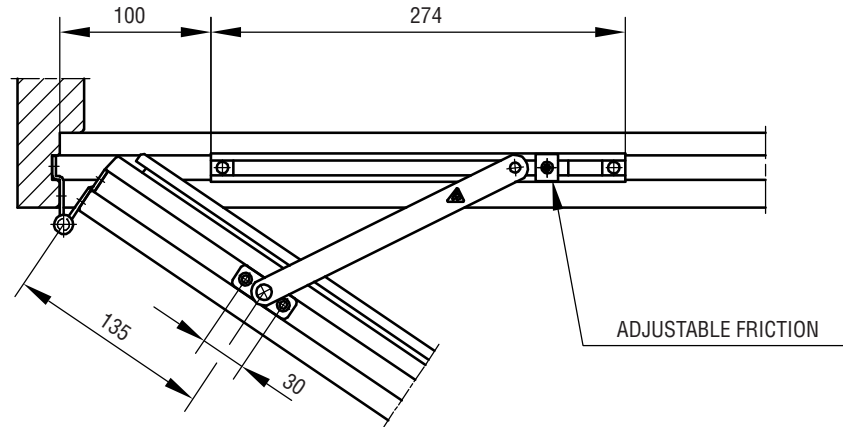


FIG. 1

EXAMPLE WOOD PROFILE

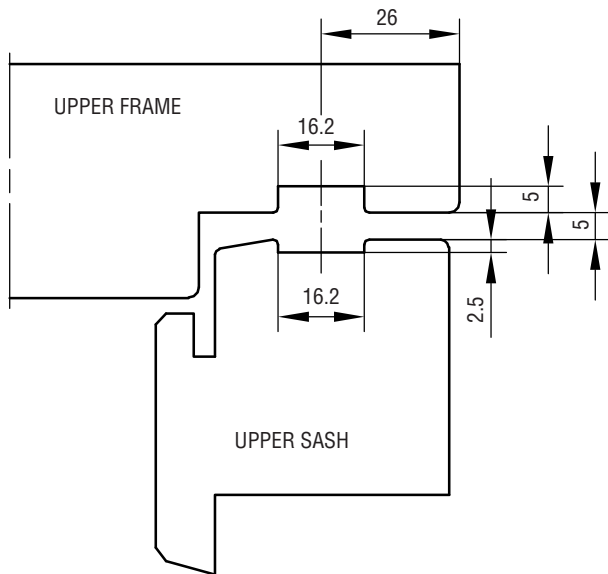


FIG. 2

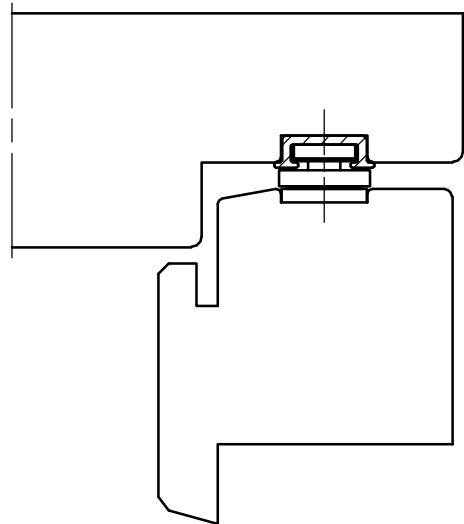


FIG. 3

USE SCREW NO. 4.0

MAINTENANCE:

THE FITTING ARE NOT TO BE PAINTED. TEST THE OPERATION FROM TIME TO TIME. WHEN MOUNTING - LUBRICATE THE PIVOT/MOVABLE METAL PARTS OF THE MECHANISM WHILE ACTIVATING REPEATEDLY. HEREAFTER LUBRICATE MINIMUM TWICE A YEAR. DO NOT LUBRICATE THE ALUMINIUM RAILS.