

## FITTING INSTRUCTIONS

RESTRICTOR IPA NO.s 62536 + 62936

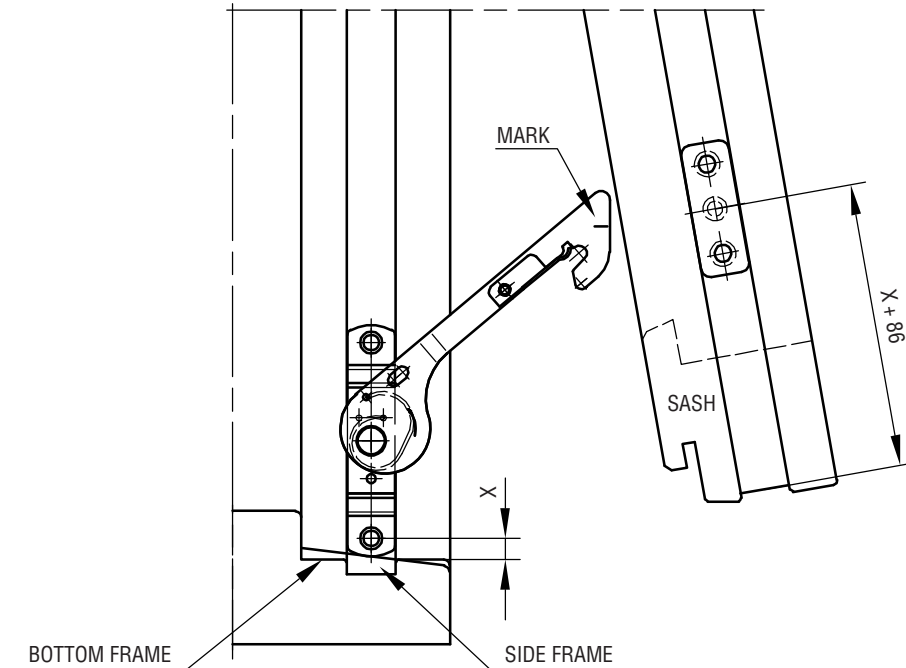


FIG. 1  
 RIGHT HAND ILLUSTRATION  
 (SEEN FROM THE OUTSIDE)

EXAMPLE WOOD PROFILE

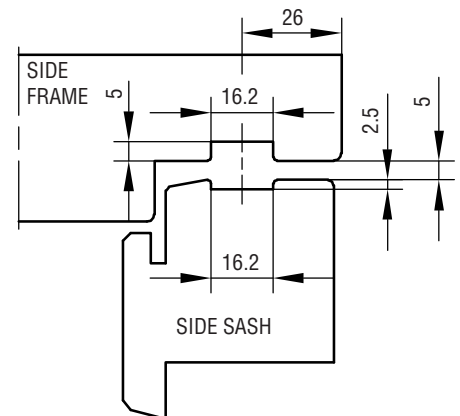


FIG. 2  
 IPA NO. 62536

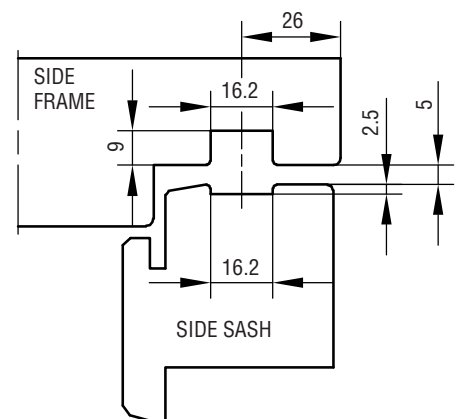


FIG. 3  
 IPA NO. 62936

IPA NO. 62536 + 62936 IS USED FOR BOTH TOP HUNG AND CANOPY WINDOWS AS WELL AS SIDE HUNG WINDOWS. WHEN USING THE RESTRICTOR FOR TOP HUNG AND CANOPY WINDOWS, THE RESTRICTOR IS MOUNTED IN THE CHANNELS AT THE BOTTOM SIDE SASH AND SIDE FRAME. FOR SIDE HUNG WINDOWS, THE RESTRICTOR IS MOUNTED IN THE CHANNELS OF THE TOP FRAME AND TOP SASH - OPPOSITE THE HINGE SIDE.

X-DIMENSION IS OPTIONAL. MINIMUM X-DIMENSION IS APPROX. 7 MM. BY USING LARGER X-DIMENSION THE VENTILATION OPENING WILL BE EXTENDED.

**IMPORTANT:** THE CATCH OF THE RESTRICTOR IS FITTED IN THE CHANNEL OF THE SASH. USE THE MARK SHOWN ON THE RESTRICTOR ARM AS LOCATION POINT FOR THE CENTRE PIN ON THE RESTRICTOR CATCH.

**OPERATING INSTRUCTIONS:**

1. OPEN THE SASH UNTIL THE RESTRICTOR CATCH ENGAGES.
2. PULL THE SASH IN APPROX. 20 MM.
3. LIFT/MOVE THE RESTRICTOR ARM IN THE DIRECTION OF THE ARROW AND OPEN THE SASH.
4. WHEN THE WINDOW IS CLOSED THE RESTRICTOR RE-ENGAGES AUTOMATICALLY.

USE SCREW NO. 4.0

**MAINTENANCE:**

THE FITTINGS MUST NOT BE PAINTED.  
 TEST THE OPERATION AND LUBRICATE THE PIVOT (CENTRE OF ROTATION) FROM TIME TO TIME.