

FITTING INSTRUCTIONS

RESTRICTOR IPA NO. 21230

X-DIMENSION IS OPTIONAL. WE SUGGEST 35 MM AS MINIMUM. BY USING LARGER X-DIMENSION THE VENTILATION OPENING WILL BE EXTENDED.

IMPORTANT: THE PIVOT CATCH OF THE RESTRICTOR IS FITTED IN THE BOTTOM CHANNEL OF THE SASH. USE THE MARK SHOWN ON THE RESTRICTOR ARM AS LOCATION POINT FOR THE PIVOT CATCH. THE INCLUDED SUPPORT FITTING (PVC-BLOCK) IS MOUNTED IN THE BOTTOM CHANNEL OF THE SASH - OPPOSITE THE HINGE SIDE - JUST OVER THE FREE PART OF THE SMALL ALU-RAIL.

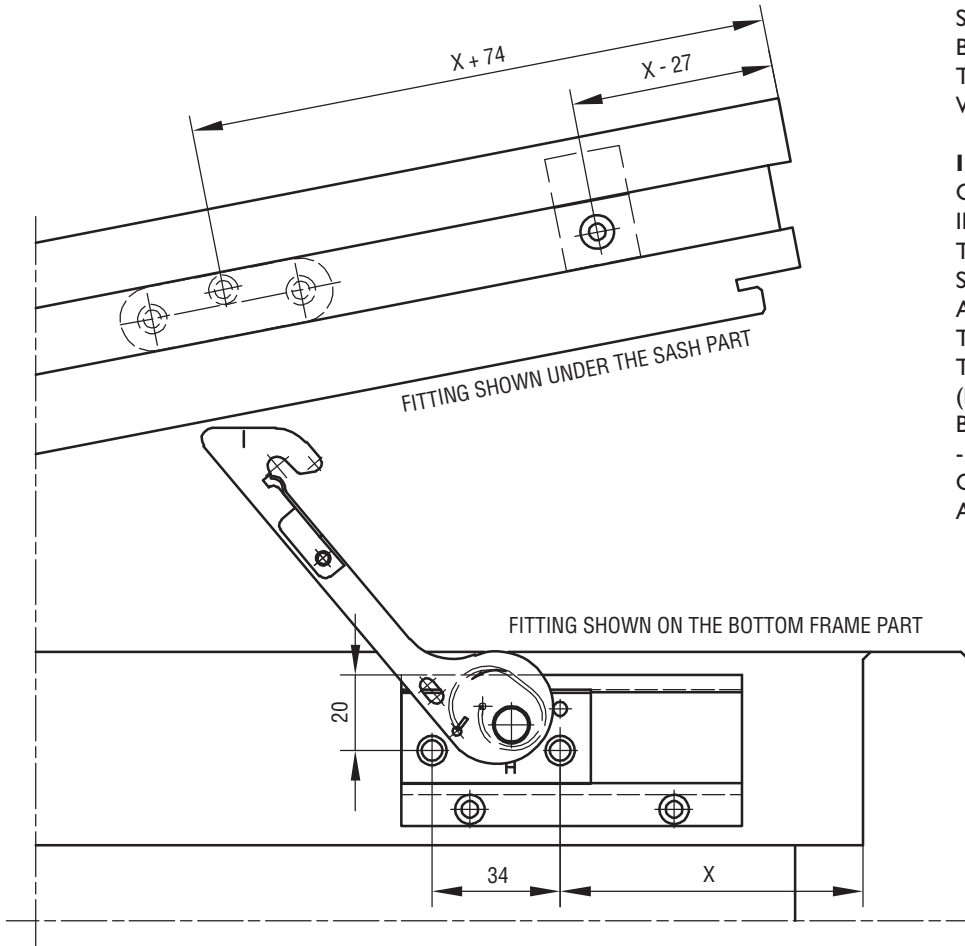
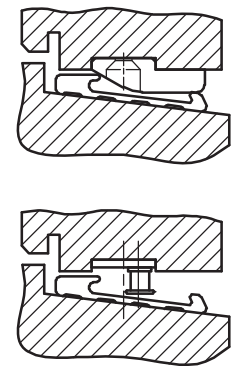


FIG. 1
RIGHT HAND ILLUSTRATION



BOTTOM FRAME

EXAMPLE WOOD PROFILE

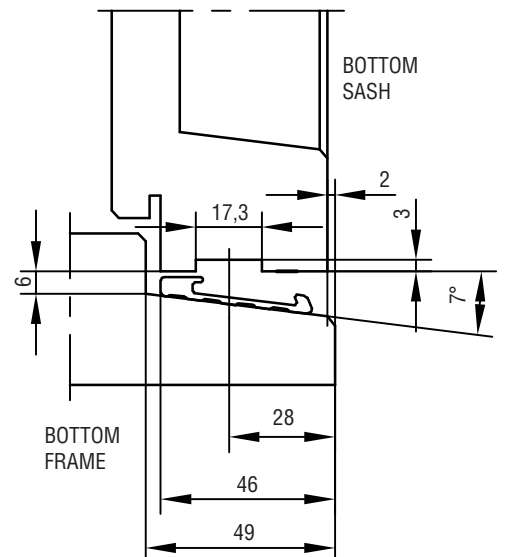


FIG. 2

OPERATING INSTRUCTIONS:

1. OPEN THE SASH UNTIL THE RESTRICTOR CATCH ENGAGES.
2. PULL THE SASH IN, APPROXIMATELY 20 MM.
3. PRESS THE RESTRICTOR ARM IN THE DIRECTION OF THE ARROW AND OPEN THE SASH.
4. WHEN THE WINDOW IS CLOSED THE RESTRICTOR RE-ENGAGES AUTOMATICALLY.

USE SCREW NO. 4.0

MAINTENANCE:

THE FITTINGS MUST NOT BE PAINTED. TEST THE OPERATION AND LUBRICATE THE PIVOT (CENTRE OF ROTATION) FROM TIME TO TIME, MINIMUM TWICE A YEAR.