

## FITTING INSTRUCTIONS

### RESTRICTOR IPA NO. 21160

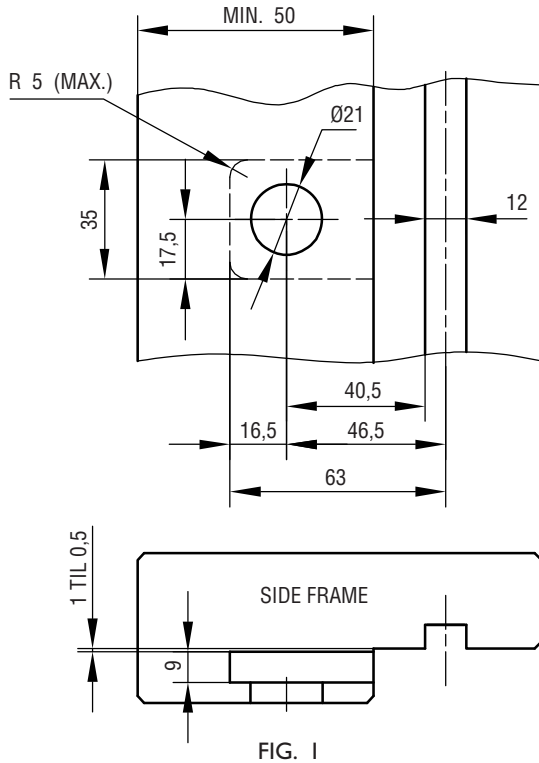


FIG. 1

EXAMPLE WOOD PROFILE - SEE FIG. 1  
LEFT SIDE FRAME, SEEN FROM THE INSIDE

#### MOUNTING:

1. PLACE THE SAFETY CATCH INTO THE CUT OUT, HOLD IT AGAINST THE EDGE OF THE ALUMINIUM RAIL. THEN FASTEN WITH A NO. 4 SCREW THROUGH THE 21 MM HOLE.
2. PLACE THE COVER PLATE OVER THE CUT OUT AND THE VISIBLE PART OF THE SAFETY CATCH, FASTEN WITH TWO NO. 3.5 SCREWS.
3. PLACE THE OPERATING HANDLE OVER THE 21 MM HOLE. THE PIN ON THE BACKSIDE OF THE OPERATING HANDLE MUST BE MOUNTED IN THE HOLE (4 MM) ON THE SAFETY CATCH. PUSH THE FRONT PLATE AWAY FROM THE WINDOW SO THAT THE OPERATING HANDLE HAS THE MAXIMUM POSSIBLE MOVEMENT - FASTEN THE TWO NO. 3.5 SCREWS ON THE FRONT PLATE.
4. CONTROL OF FUNCTION:  
THE OPERATING HANDLE MUST HAVE A MOVEMENT OF APPROXIMATELY 7 MM AND BE ABLE TO RETURN BY ITSELF. THE SAFETY CATCH MUST FOLLOW THE MOVEMENTS OF THE OPERATING HANDLE.

#### OPERATING INSTRUCTIONS:

1. OPEN THE SASH UNTIL THE SAFETY CATCH ENGAGES.
2. PULL IN THE SASH APPROXIMATELY 20 MM. DRAW THE OPERATING HANDLE DIRECTLY TOWARDS YOU, AND OPEN SASH.
3. THE SASH STOPS AUTOMATICALLY IN THE CLEANING POSITION. TO RELEASE THE SASH FOLLOW PROCEDURE AS GIVEN IN POINTS 1 AND 2.

#### MAINTENANCE:

DO NOT PAINT THE FITTING.  
WHEN FITTING - LUBRICATE THE MOVABLE METAL PARTS OF THE MECHANISM WHILE ACTIVATING REPEATEDLY. HEREAFTER LUBRICATE MINIMUM TWICE A YEAR.

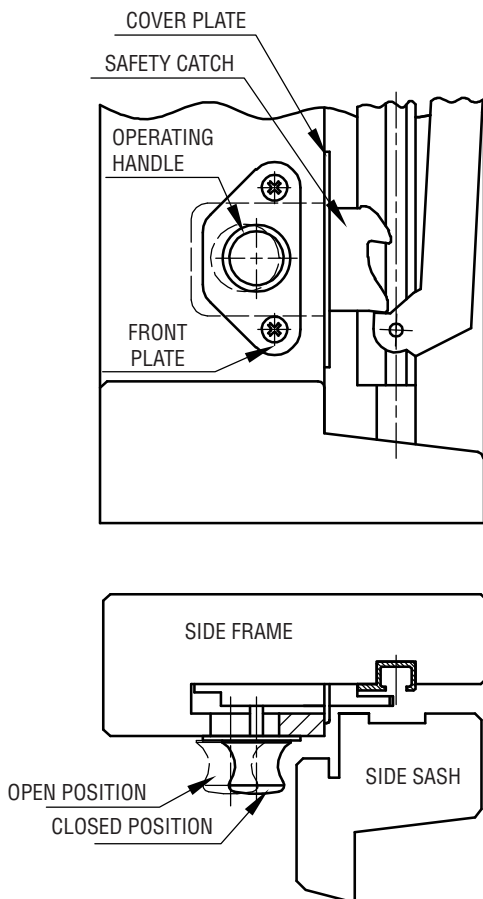


FIG. 2