

FITTING INSTRUCTIONS

TOP SWING FITTING IPA NO.s 21244-64

EXAMPLE WOOD PROFIL

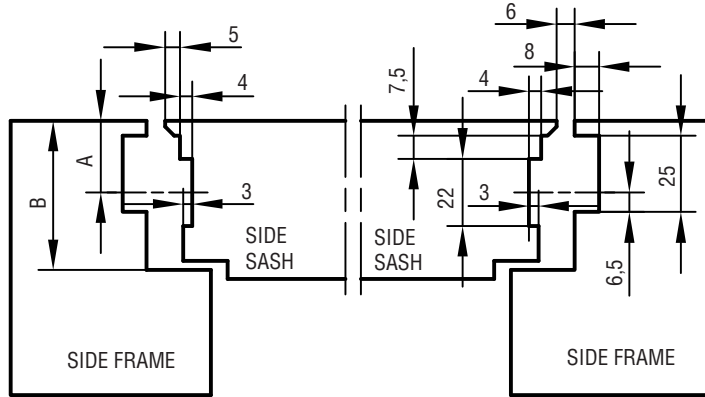


FIG. 1

A	B MIN.
23.5	49.0
24.5	51.0
25.5	53.0

FIG. 2

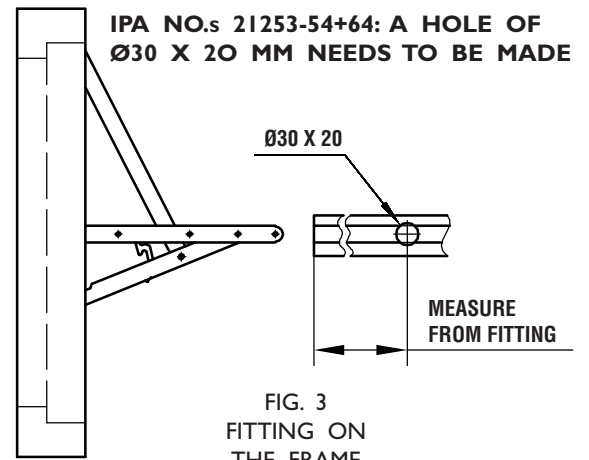


FIG. 3
FITTING ON
THE FRAME

IPA NO.	MODULE	INSIDE FRAME MM	LENGTH OF FITTING MM	MAX. WEIGHT KG
21244	6	500 - 599	475	70
21245	7	600 - 699	575	70
21246	8	700 - 799	675	70
21247	9	800 - 899	775	70
21248	10	900 - 999	875	80
21249	11	1000 - 1099	975	80
21250	12	1100 - 1199	1075	80
21251	13	1200 - 1299	1175	80
21252	14	1300 - 1399	1275	80
21253	15	1400 - 1499	1375	80
21254	16	1500 - 1550	1475	80
21259	10,5	950 - 1049	925	80
21260	11,5	1050 - 1149	1025	80
21261	12,5	1150 - 1249	1125	80
21262	13,5	1250 - 1349	1225	80
21263	14,5	1350 - 1449	1325	80
21264	15,5	1450 - 1549	1425	80
USE THE LARGEST POSSIBLE FITTING				

FIG. 4

FITTING

1. PLACE THE FITTING INTO BOTH SIDES OF THE FRAME AND AGAINST THE TOP OF THE FRAME.
2. OPEN THE FITTING AND INSERT THE SASH BETWEEN HINGE ARMS AND PUSH THE SASH TO THE WANTED POSITION.

OPERATION INSTRUCTIONS:

1. OPEN THE WINDOW - THE SAFETY CATCH WILL AUTOMATICALLY RESTRICT THE WINDOW.
2. PULL THE SASH 40 MM - PRESS THE SAFETY CATCH UPWARDS AND OPEN THE WINDOW.
3. WHEN THE WINDOW IS REVERSED FOR CLEANING, THE SAFETY CATCH WILL LOCK AUTOMATICALLY. DISENGAGE AS DESCRIBED IN POINT 2.

MEDIUM SIZE WINDOWS WILL PROJECT MORE ABOVE THE HEAD OF THE FRAME.

USE SCREW NO. 4.0.

IMPORTANT: WHEN MANUFACTURING AND FITTING THE WINDOW THE SIDE FRAMES MUST BE STRAIGHT AND PARALLEL IN ORDER FOR THE SLIDING ELEMENTS TO TRAVEL FREELY IN THEIR ALUMINIUM RAILS.

MAINTENANCE:

THE FITTINGS ARE NOT TO BE PAINTED. TEST THE OPERATION FROM TIME TO TIME. WHEN FITTING - LUBRICATE THE PIVOT/MOVABLE METAL PARTS OF THE FITTING WHILE ACTIVATING REPEATEDLY. HEREAFTER LUBRICATE MINIMUM TWICE A YEAR. DO NOT GREASE THE ALUMINIUM RAILS.