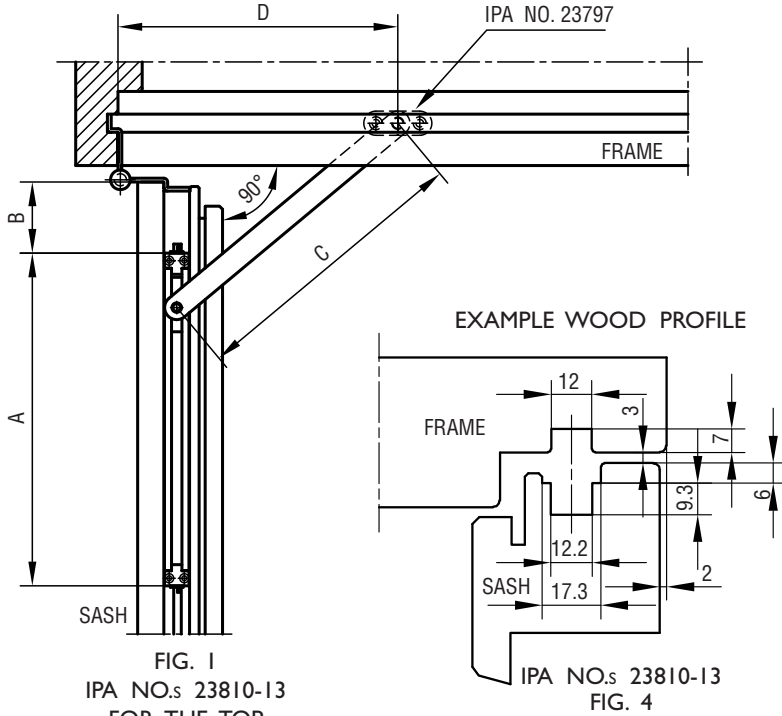


FITTING INSTRUCTIONS

FRICITION STAYS IPA NO.s 23810-18



FITTING INSTRUCTIONS:

1. ALUMINIUM RAIL WITH ARM IS MOUNTED IN THE TOP OF THE SASH (23810-13) OR AT THE BOTTOM OF THE SASH (23815-18). USE 4 PCS SCREW NO. 3.
2. THE PLASTIC FRAME FIXTURE IS MOUNTED IN THE TOP OF THE FRAME (23797) OR AT THE BOTTOM OF THE FRAME (23798-99). USE 2 PCS. SCREW NO. 4.
3. THE ARM IS PRESSED IN PLACE IN THE FRAME FIXTURE.

IPA NO.	SASH WIDTH MM	A MM	B MM	C MM	D MM
23810	330 - 480	250	15	110	102
23811	481 - 690	330	90	200	152
23812	691 - 900	435	195	330	230
23813	901 - 1100	465	305	450	280
23815	330 - 480	250	15	110	102
23816	481 - 690	330	90	200	152
23817	691 - 900	435	195	330	230
23818	901 - 1100	465	305	450	280

WHEN THE OPENING ANGLE IS MORE THAN 90° A MECHANICAL RESTRICTOR WHICH PREVENTS THE DOOR FROM OPENING MORE THAN 90° MUST BE FITTED.

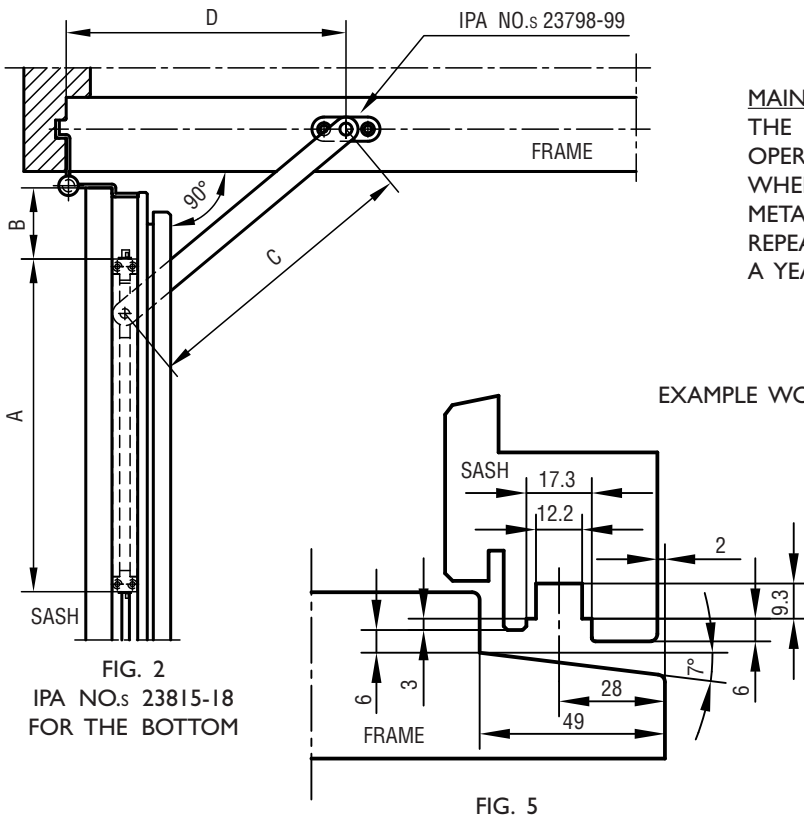


FIG. 3

MAINTENANCE:

THE FITTINGS ARE NOT TO BE PAINTED. TEST THE OPERATION FROM TIME TO TIME. WHEN MOUNTING - LUBRICATE THE PIVOT/MOVABLE METAL PARTS OF THE MECHANISM WHILE ACTIVATING REPEATEDLY. HEREAFTER LUBRICATE MINIMUM TWICE A YEAR. DO NOT LUBRICATE THE ALUMINIUM RAILS.

