

FITTING INSTRUCTIONS

FOR SIDE SWING WINDOW 90° WITH FRICTION IPA NO. 62595

EXAMPLE WOOD PROFILE:

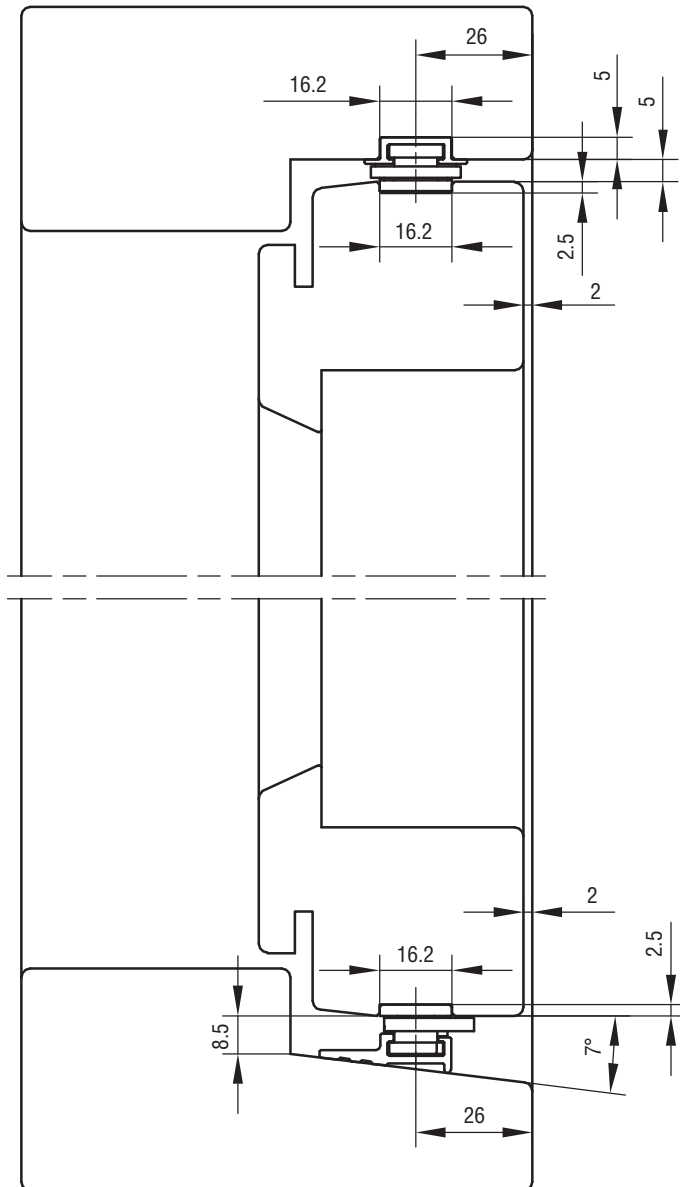
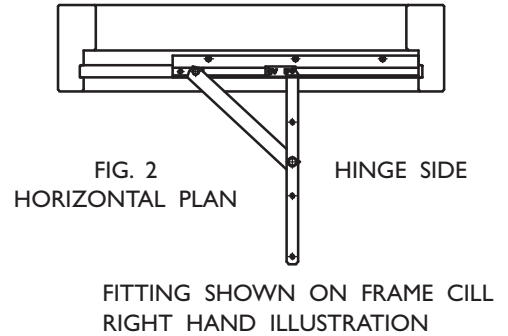


FIG. 1
VERTICAL PLAN



IPA NO.	62595
MAX. WEIGHT OF SASH KGS	40
MIN. WIDTH OF SASH MM	320
MAX. WIDTH OF SASH MM	820
USE SCREW NO.	4.0

FIG. 3

REG. TALL AND NARROW WINDOWS:
PLEASE NOTICE THAT ON TALL AND NARROW SASHES THE FLEXIBILITY OF THE MATERIAL MAY EFFECT HE MOVEMENT OF THE FITTING'S SLIDING ELEMENTS IN TOP AND BOTTOM. IT CAN THEREFOR BE NECESSARY TO USE BOTH HANDS TO STABILIZE THE SASH WHEN OPENING THE WINDOW. THESE FITTINGS ARE NOT SUITABLE FOR DOOR HEIGHT WINDOWS.

FITTING:

1. THE FITTING SHOULD BE POSITIONED IN THE GROOVES AT HEAD AND CILL OF FRAME AND SCREWED ON (FIGURE 1 AND 2).
2. NOW PUSH THE WINDOW SASH INTO POSITION BY SASH SLOTS AND FASTEN THE SCREWS.
3. THE FRICTION CAN BE ADJUSTED ON THE TOP FITTING. IF A LARGER OPENING IS WANTED THEN JUST MOVE THE ADJUSTABLE STOP FITTING IN THE TOP FRAME ALUMINIUM RAIL.

MAINTENANCE:

THE FITTINGS ARE NOT TO BE PAINTED. TEST THE OPERATION FROM TIME TO TIME. WHEN FITTING - LUBRICATE THE PIVOT/MOVABLE METAL PARTS OF THE MECHANISM WHILE ACTIVATING REPEATEDLY. HEREAFTER LUBRICATE MINIMUM TWICE A YEAR. DO NOT LUBRICATE THE ALUMINIUM RAILS.