

## FITTING INSTRUCTIONS

### ESPAÑOLETE WITH ADJUSTABLE MUSHROOM HEAD BOLTS FOR WINDOWS IPA NO.s 23051-60 & 23061-70

IPA NO.	L MM	C MM	A MM BACKSET	B MM
23051	300	195	25	34
23052	400	295		
23053	500	395		
23054	600	495		
23055	700	595		
23056	800	695		
23057	900	795		
23058	1000	895		
23059	1100	995		
23060	1200	1095		
23061	300	195	28	37
23062	400	295		
23063	500	395		
23064	600	495		
23065	700	595		
23066	800	695		
23067	900	795		
23068	1000	895		
23069	1100	995		
23070	1200	1095		

FIG. 1

USE SCREW NO. 4.0

EXAMPLE WOOD PROFILE

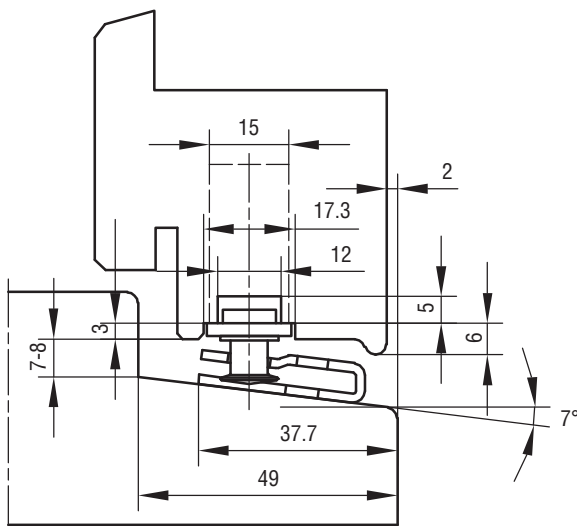


FIG. 2

SHOWN WITH BOLT RECEIVER IPA NO. 23190

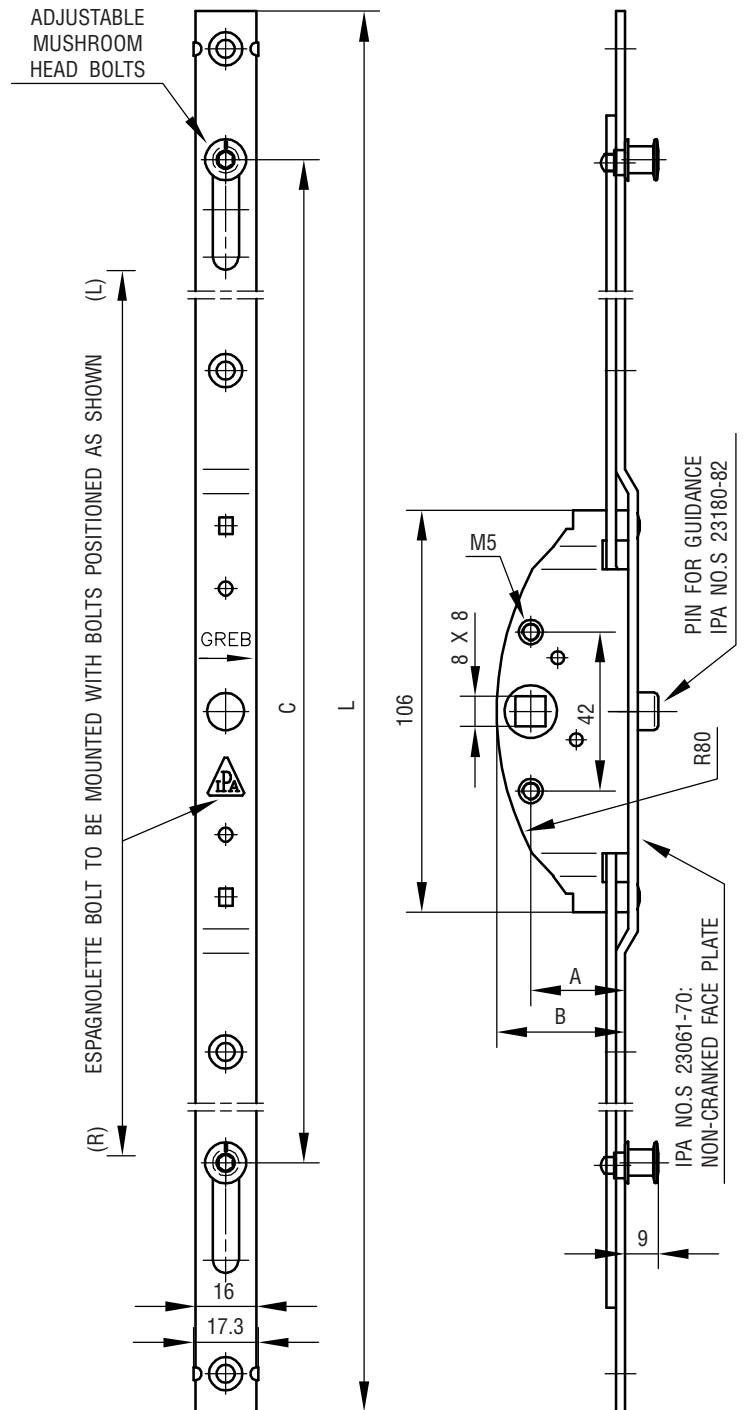


FIG. 3

**MAINTENANCE:**

WHEN FITTING - LUBRICATE THE MOVABLE PARTS OF THE MECHANISM WHILE ACTIVATING REPEATEDLY. HEREAFTER LUBRICATE MINIMUM TWICE A YEAR.