

## FITTING INSTRUCTIONS

### RESTRICTOR IPA NO. 21239

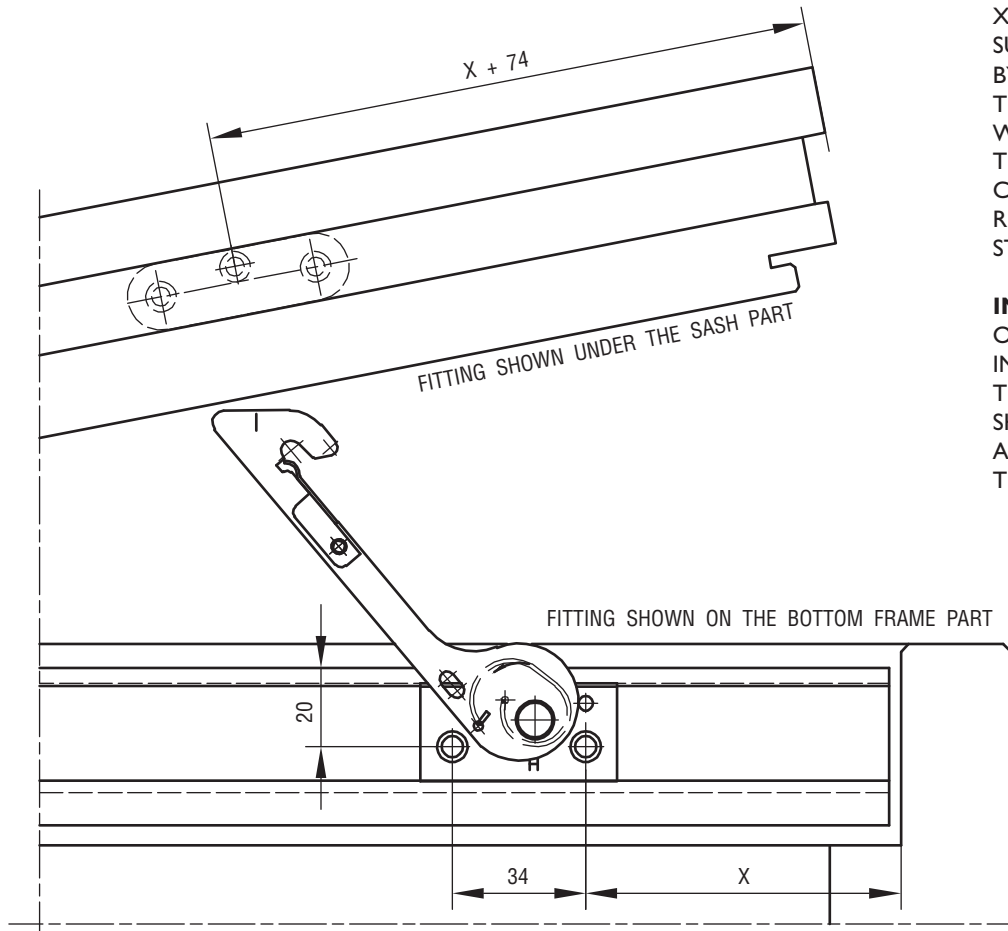
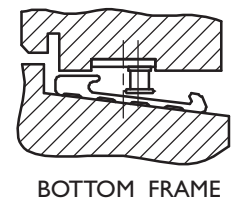


FIG. 1  
RIGHT HAND ILLUSTRATION

X-DIMENSION IS OPTIONAL. WE SUGGEST 25 MM AS MINIMUM. BY USING LARGER X-DIMENSION THE VENTILATION OPENING WILL BE EXTENDED. AT THE SAME TIME THE TURNING OF SASH TO CLEANING POSITION WILL BE REDUCED AS THE RESTRICTOR WILL STOP THE SLIDING PART.

**IMPORTANT:** THE PIVOT CATCH OF THE RESTRICTOR IS FITTED IN THE BOTTOM CHANNEL OF THE SASH. USE THE MARK SHOWN ON THE RESTRICTOR ARM AS LOCATION POINT FOR THE PIVOT CATCH.



#### OPERATING INSTRUCTIONS:

1. OPEN THE SASH UNTIL THE RESTRICTOR CATCH ENGAGES.
2. PULL THE SASH IN, APPROXIMATELY 20 MM.
3. PRESS THE RESTRICTOR ARM IN THE DIRECTION OF THE ARROW AND OPEN THE SASH.
4. WHEN THE WINDOW IS CLOSED THE RESTRICTOR RE-ENGAGES AUTOMATICALLY.

USE SCREW NO. 4.0

#### MAINTENANCE:

THE FITTINGS MUST NOT BE PAINTED. TEST THE OPERATION AND LUBRICATE THE PIVOT (CENTRE OF ROTATION) FROM TIME TO TIME, MINIMUM TWICE A YEAR.

#### EXAMPLE WOOD PROFILE

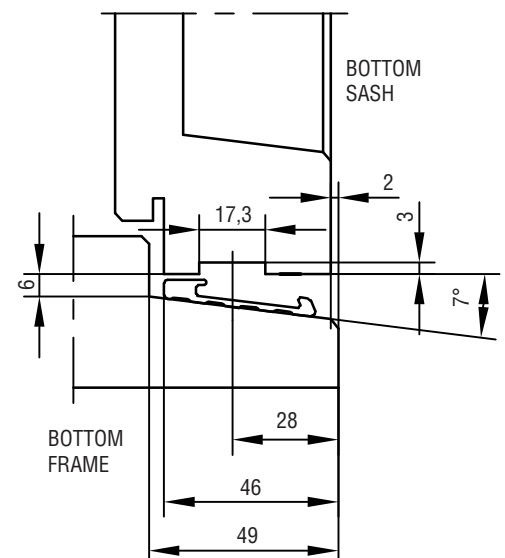


FIG. 2