

FITTING INSTRUCTIONS

RESTRICTOR IPA NO. 21233

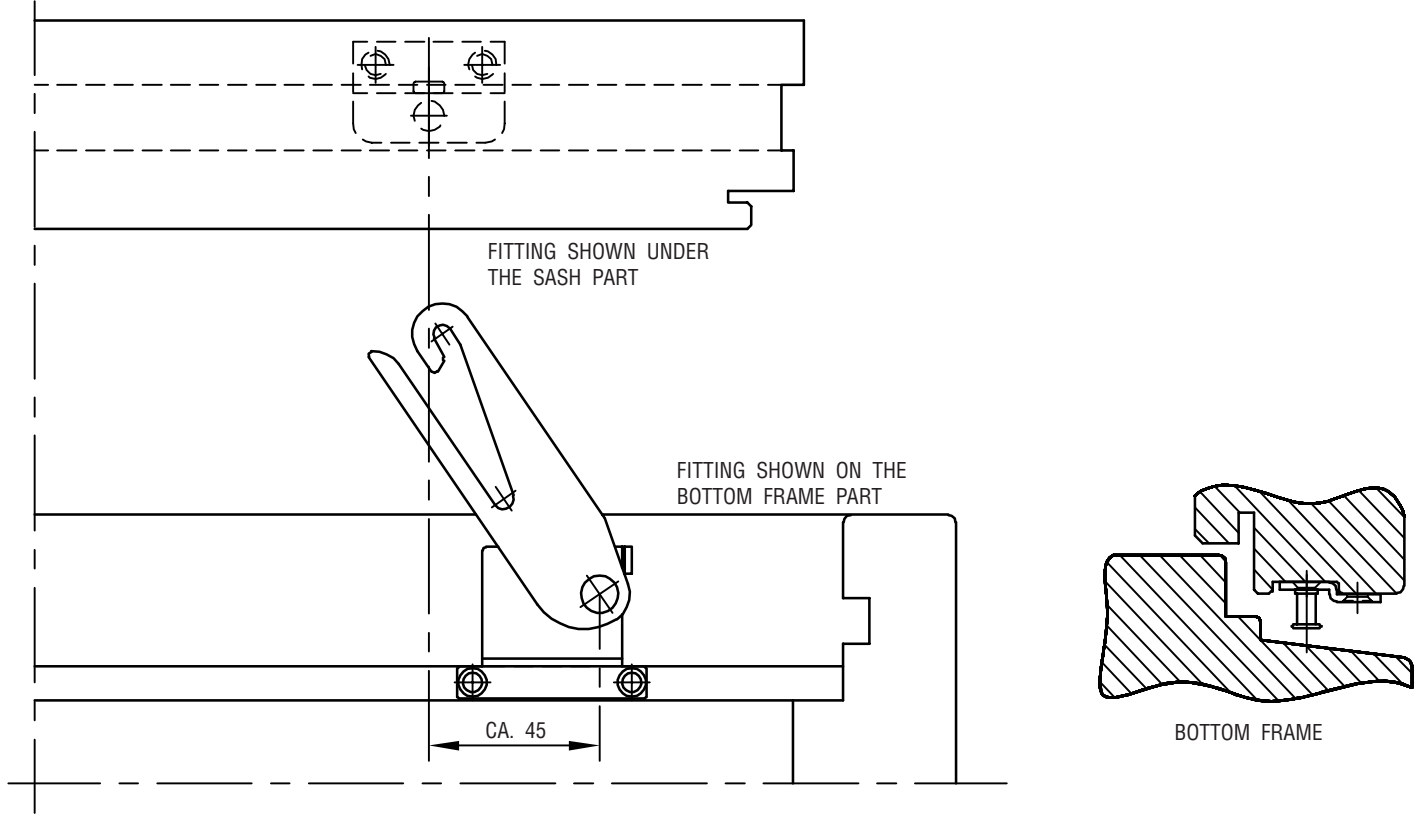


FIG. 1

OPERATING INSTRUCTIONS:

1. OPEN THE WINDOW UNTIL THE RESTRICTOR IS IN POSITION.
2. PULL THE SASH IN, APPROXIMATELY 20 MM.
3. PRESS THE RESTRICTOR TO THE RIGHT AND OPEN THE SASH.

USE SCREW NO. 3.5.

MAINTENANCE:

THE FITTINGS MUST NOT BE PAINTED.
 TEST THE OPERATION AND LUBRICATE THE PIVOT (CENTRE OF ROTATION) FROM TIME TO TIME, MINIMUM TWICE A YEAR.

EXAMPLE WOOD PROFILE

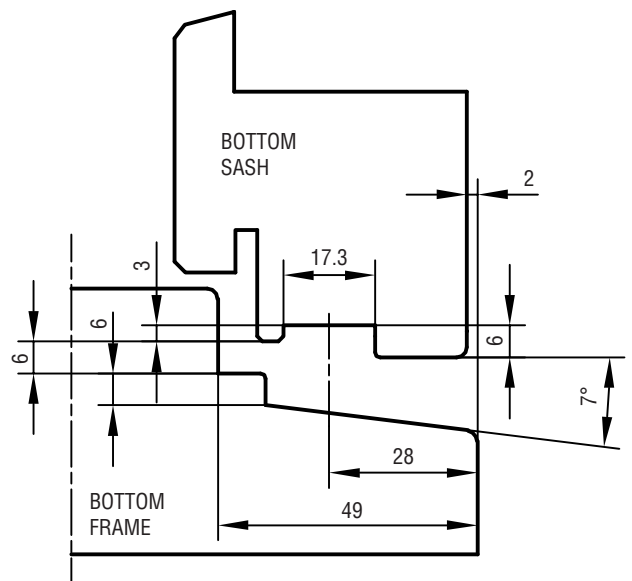


FIG. 2